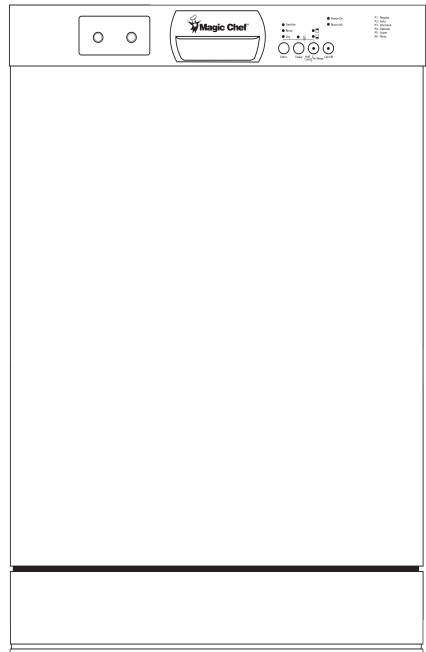




Dishwasher

Installation Manual



Model MCSDW7FCB/MCSDW7FCW

**PLEASE READ THIS MANUAL CAREFULLY BEFORE USING YOUR
DISHWASHER AND KEEP IT FOR FUTURE REFERENCE.**

CONTENTS

INTRODUCTION	3
IMPORTANT SAFETY INSTRUCTIONS	3
SPECIFICATIONS.....	5
PARTS AND MATERIALS	6
INSTALLATION INSTRUCTIONS	7
INSTALLER CHECKLIST	13

INTRODUCTION

When using the dishwasher, follow carefully precautions in this instruction, especially the safety instructions. These are provided in order to save you, your time and effort and help to ensure optimum dishwasher performance. Be sure to observe all listed warnings and cautions. Look particularly for the icons with exclamation marks inside. The information icon will also provide important references.

▲ WARNING

▲ CAUTION

WARNING: Indicates a potentially hazardous situation which, if not avoided, could result in death or serious injury.

CAUTION: Indicates a potentially hazardous situation which, if not avoided, may result in injury. It may also be used to alert against unsafe practices.

IMPORTANT SAFETY INSTRUCTIONS

In addition to these instructions, the dishwasher shall be installed:

- In accordance with all local codes or, in absence of a local code,
- In the United States, with the National Electric Code,
- In Canada, with the Canadian Electric Code C22.1-latest edition/Provincial and Municipal codes and/or local codes.

NOTE: Read these installation instructions completely before installing and follow them carefully. Save these installation instructions and pass them on to any future user.

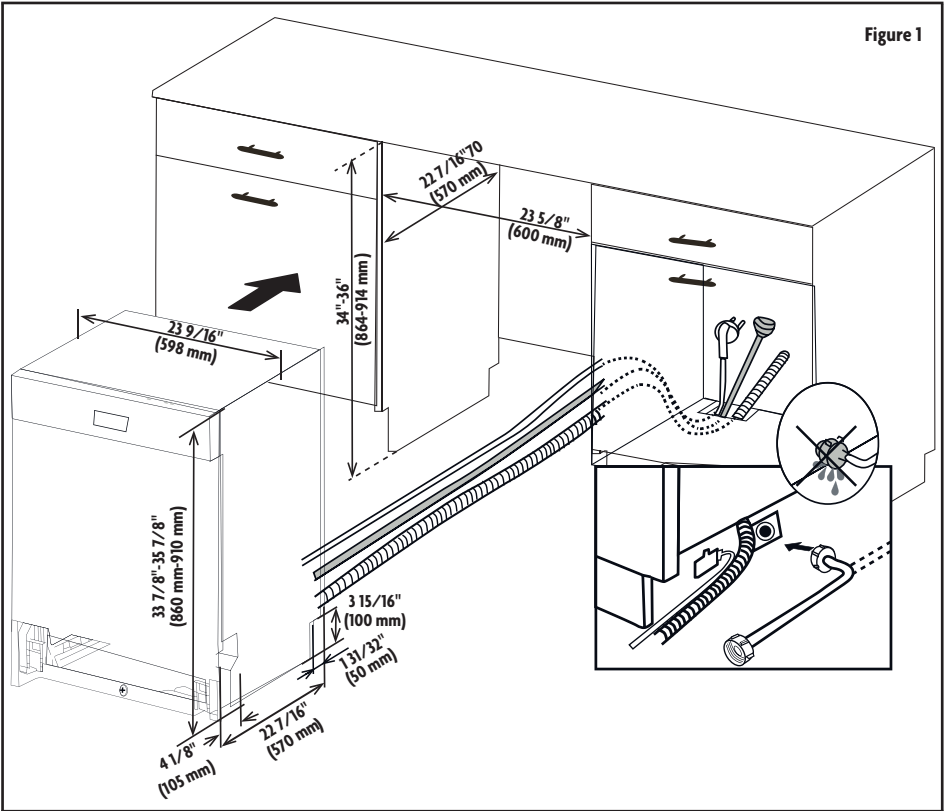
▲ WARNING: When installing the dishwasher, follow basic precautions, including the following:

- Installation and repair should be performed by a qualified installer. Work by unqualified persons could be dangerous and may void the warranty.
NOTE: The dishwasher should be installed by an insured, licensed plumber, contractor, or trained installer. Installation performed by persons other than this could result in improper installation and property damage.
- DO NOT operate the appliance if damaged, malfunctioning, partially disassembled or if it has missing or broken parts.
- ALWAYS follow the safety instructions listed in the user manual.
- To reduce the risk of electric shock, fire, or injury to persons, the installer must ensure that the dishwasher is completely enclosed at the time of installation.
- Only connect the dishwasher to the power supply when all installation and plumbing work is complete.
- If the dishwasher is installed in a location that experiences freezing temperatures (vacation home, cabin, etc.) you must drain all the water from the dishwashers interior. Water system ruptures that occur as a result of freezing are not covered by warranty.
- The dishwasher must be secured to adjacent cabinetry using the brackets provided. Failure to do this may cause damage to property or bodily injury.

- Connect to a properly rated, protected and sized power supply circuit to avoid electrical overload. The dishwasher is designed for an electrical supply of 120V, 60Hz AC, and should be connected to a dedicated, properly grounded 15 A circuit with a fuse or circuit breaker.
These requirements must be met to prevent injury and damage to the unit. Consult a qualified electrician if in doubt.
- This dishwasher includes a heating element. DO NOT touch the heating element during or immediately after use.
- DO NOT use any extension cord or portable outlet device to connect the dishwasher to a power supply.
- **▲WARNING:** Danger of suffocation! Ensure that any plastic wrappings, bags, small pieces, etc. are disposed of safely and kept out of the reach of children.
- Remove the door to the washing compartment when removing an old dishwasher from service or discarding it. Ensure that the appliance presents no danger to children while being stored for disposal.
- Old appliances may contain materials that can be recycled. Please contact your local recycling authority about the possibility of recycling these materials.
- **NOTE:** The dishwasher drain hose must be installed with a drain loop at least 28" (710mm) off the cabinet floor or the unit may not drain properly.
- This dishwasher is intended for residential use only, and should not be used in commercial establishments.
- If the dishwasher is a new installation, most of the work must be done before the dishwasher is moved into place.
- If the dishwasher is replacing a previously installed unit, check the existing dishwasher connections for compatibility with the new dishwasher and replace parts as necessary.

SPECIFICATIONS

Figure 1



Load Capacity	15 Place Settings
Permissible Water Pressure	4.35 - 145 p.s.i. (0.3 - 10 bars)
Electrical Connection	120 V, 12 A, 60 Hz
Total Power	1400 W
Heater Power	1100 W

NOTE: Because we continually strive to improve our products, we may change our specifications and design without prior notice.

This device corresponds to the following directives:

UL 749 Household Dishwasher directive.

PARTS AND MATERIALS

TOOLS THAT MAY BE NEEDED

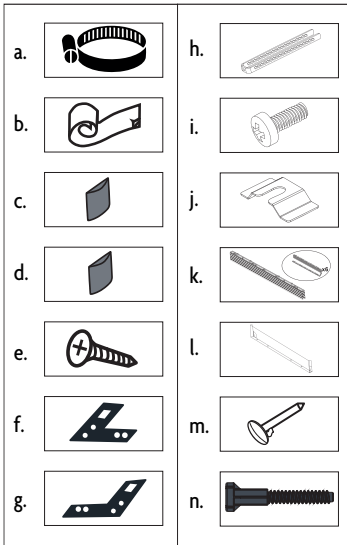
- Pipe Wrench
- Hole Saw
- Tape Measure
- Adjustable Wrench
- Level
- Wire Cutter
- Hammer
- Torx Screwdriver
- Slot Screwdriver
- Phillips Screwdriver
- Drill
- Wire Stripper
- Brush
- Scissors
- Pencil

MATERIALS THAT MAY BE NEEDED

- Hot Water Supply Line – Min. 3/4" O.D. copper tubing or metal braided dishwasher supply line
- UL listed conduit connector or strain relief.
- Teflon tape or pip thread compound to seal plumbing connections.
- Shut-off valve and fittings appropriate for hot water supply line (copper tubing/compression fitting, or braided hose)
- Silicone
- Glue

INCLUDED PARTS AND MATERIALS

The parts required for installing the dishwasher are in plastic bags. Check that all of the following parts are contained in plastic bags.



DISHWASHER PARTS BAG 1

- a. Hose Clamp x 1

DISHWASHER PARTS BAG 2

- b. Steam Protection Foil x 1
- c. Side Trim Strips (Left) x 1
- d. Side Trim Strips (Right) x 1

DISHWASHER PARTS BAG 3

- e. Screws 0 5/32" x 19/32" (0 4mm x 5mm) x 2
- f. Mounting Bracket Left x 1
- g. Mounting Bracket Right x 1

DISHWASHER PARTS BAG 4 (MODEL DEPENDENT)

- h. Toe Kick Bracket x 2
- i. Screws 5/32" x 7/32" (4mm x 6mm) x 1
- j. Plinth Fixing Bracket x 4
- k. Adjustable Plinth x 6
- l. Metal Toe Kick (80mm) x 1
- m. Plinth Locking Pin x 2

DISHWASHER PARTS BAG 5 (MODEL DEPENDENT)

- n. Long Legs x3

INSTALLATION INSTRUCTIONS

ELECTRICAL PREPARATION

▲WARNING: The dishwasher is designed for an electrical supply of 120 V, 60 Hz, AC connected to a dedicated, properly grounded electrical circuit with a fuse or breaker rated for 15 Amps.

The power-supply receptacle for the appliance shall be installed in a cabinet or on a wall adjacent to the under counter space in which the appliance is to be installed.

PREPARATION FOR INSTALLING MOUNTING BRACKETS

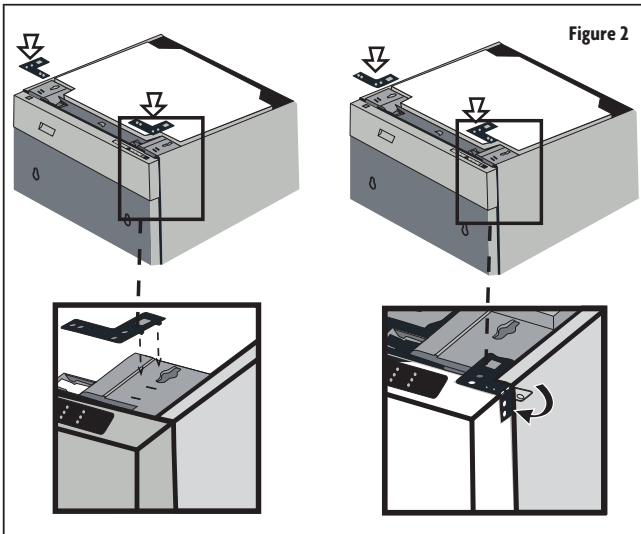
▲WARNING: The mounting brackets in the parts bag should be used when the dishwasher is installed in the cabinetry. Use of any parts other than the proper mounting brackets may result in damage to property or bodily injury.

NOTE: There shall be an opening through the partition between the compartments that is large enough for the attachment plug to pass through. The longest dimension of the opening shall not be more than 1.5 inch (38.1 mm).

NOTE: If the partition is wood, the edges of the cabinetry should be rounded and smooth. If it is metal, it should be covered with an edge protector and care should be exercised when the appliance is installed or removed to reduce the likelihood of damage to the power supply cord.

Wood or laminate counter tops

Stone or hard material counter tops



Place the two mounting brackets into the top corners of the dishwasher.

If necessary (according to the counter-top board material), bend the sides of the mounting brackets.

ADJUSTING THE HEIGHT

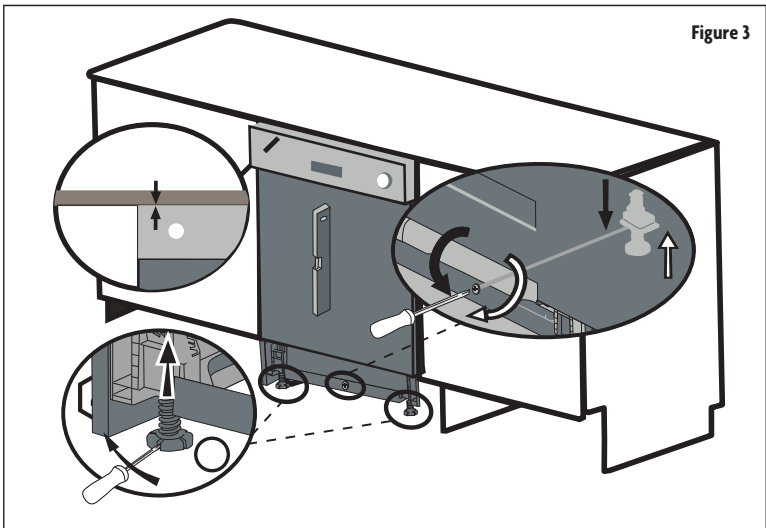
The dishwasher must be leveled and balanced after it is placed into the cabinetry enclosure. Prior to it being placed in the final position, the leveling legs should be at the shortest position. There are 2 sets of leveling legs that are included with dishwasher. Carefully measure the height of the enclosure to determine which legs you should use.

NOTE: Carefully measure the height of the enclosure to make sure you are using the correct legs to assure that the top of the dishwasher is flush with the bottom of the counter.

- If the height of the enclosure is 33 7/8" to 35 7/8" (860mm-910mm) use short leveling legs that come on the unit.
- If the height of the enclosure is above 35 7/8" (910mm) use the Long Legs included in the parts bags.

Once inserted into the enclosure, raise the leveling feet until the top of the dishwasher is flush with the underside of the counter-top. Check that the unit is plumb and level and adjust the leveling feet as needed:

1. Adjust the front legs up or down using a slotted screwdriver to raise or lower the legs.
2. Adjust the rear legs using the Philips screw located at the bottom of the dishwasher in the center.



WATER SUPPLY CONNECTION

The water supply may be connected in one of the following ways:

1. With braided metal hose
2. With copper tubing

▲ CAUTION: Hot water supply line: Use minimum 3/4" O.D. copper tubing or metal braided dishwasher supply line.

The water Inlet valve of the dishwasher has a 3/4"-11.5NH inlet coupling thread dimension according to ASME B1.20.7-1991.

When obtaining a water inlet hose for your dishwasher, please choose the thread dimension of the inlet hose as compatible with indicated water inlet valve inlet coupling thread dimension (3/4"-11.5NH) of your dishwasher.

- Temperatures required for soldering and sweating will damage the dishwasher's water inlet valve so if any such operation is needed, be sure to keep the heat source min. 7 7/8" (200mm) away from the dishwasher's water inlet valve.
- There should not be any sharp bends in the water line that may restrict the water flow.
- Teflon tape or pipe tread compound must be used for sealing the connection. Before connecting the copper water supply line to the dishwasher, flush it with hot water to clear any foreign material.

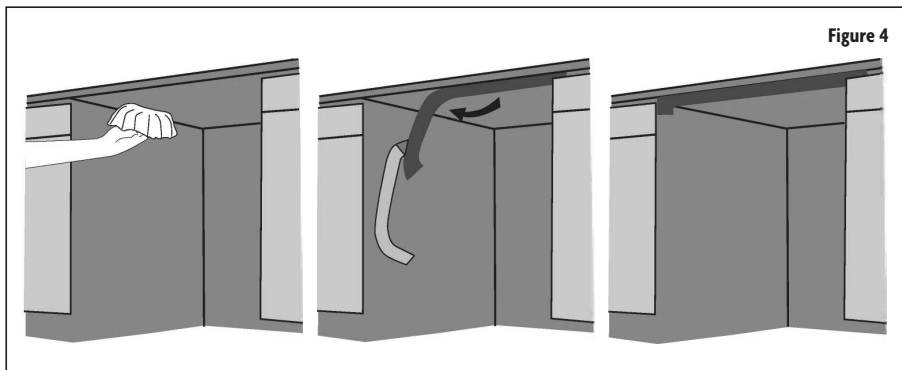
When all connections have been made, turn on the water supply to check for leaks.

STEAM PROTECTION FOIL

Steam will be output when the dishwasher door is opened during the operation of the dishwasher and after completion of the working cycle. In order to prevent the resulting steam from collecting and damaging at the underside of the counter top, use a steam protection foil included in the plastic bag.

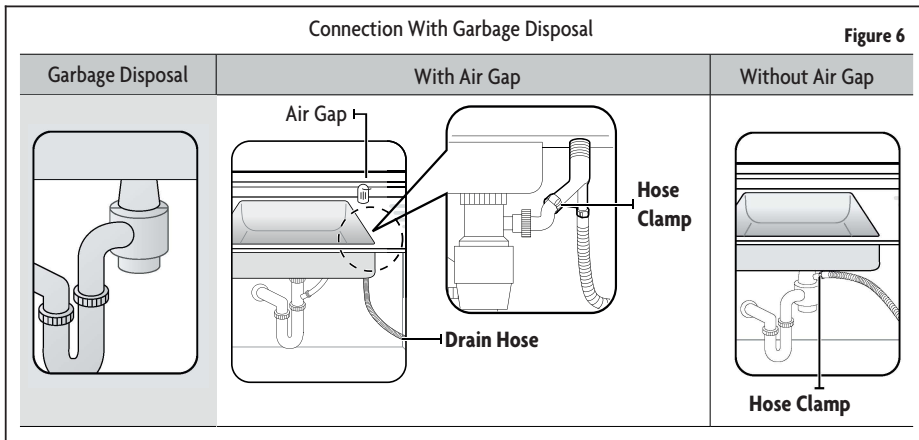
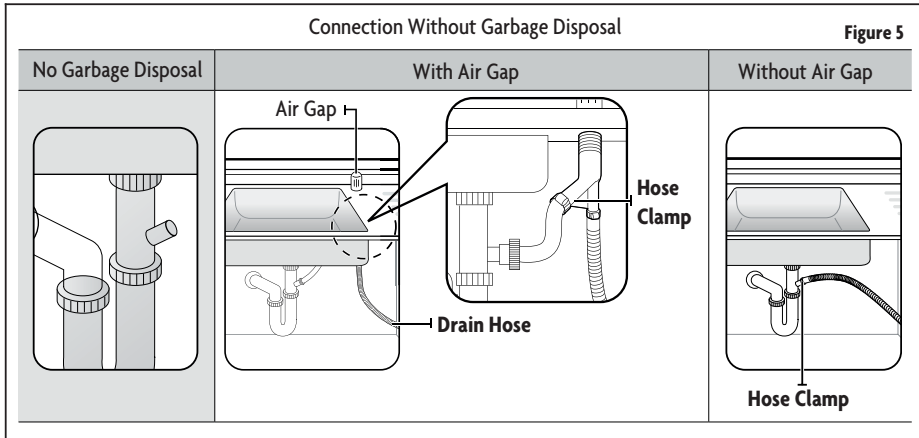
Clean the surface with a damp cloth before applying steam protection to the underside of the counter top.

▲ CAUTION: Steam protection foil must be applied where the steam escapes when door is first opened. Failure to install the steam protection foil during installation can lead to damage to the cabinets and countertop.

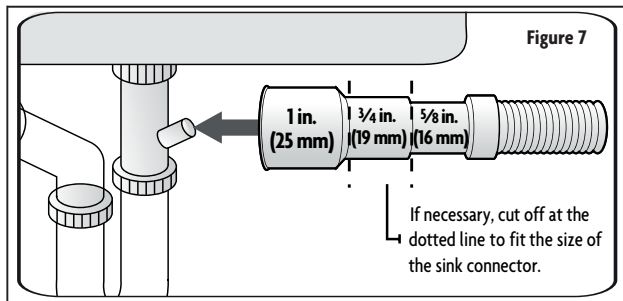


DRAIN HOSE CONNECTION

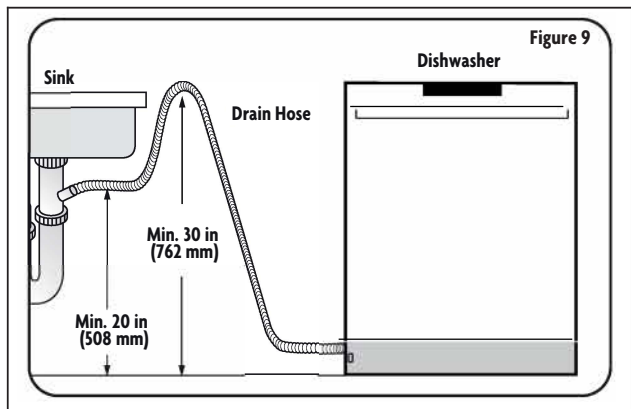
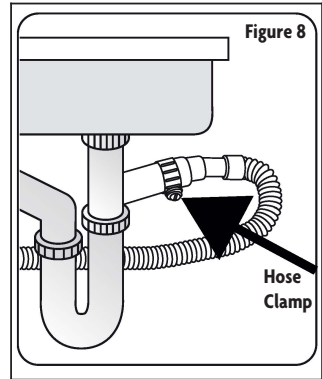
1. Check the parts on the sink to which the drain hose will be connected.
2. There are several ways to insert the drain hose into the drain hose connector of the sink, as shown in Figures 6 & 7. You must connect the drain hose in accordance with the water pipe installation regulations in your region.



3. Check the size of the sink's drain hose connector. If needed, cut the drain hose so the end fits onto the sink connector (5/8 in., 3/4 in. or 1 in. - as shown in C below). If the end of the drain hose does not fit onto the drain hose connector of the sink, use an adapter.



4. Slide a hose clamp over the end of the drain hose. Attach the drain hose to the sink connector, slide the hose clamp to the end of the hose, and then tighten the hose clamp.
NOTE: You must use a hose clamp. Failure to do so may cause water leakage.
5. If there is no air gap, make sure to hang the middle of the drain hose well above the sink cabinet base to prevent back flow (see Figure 9).
6. When drilling a hole for the drain hose on the cabinet wall, take caution not to damage the drain hose by sharp edges of the hole. On wooden walls, use sanding to soften the edges. On metal walls, use insulation tape or duct tape to cover the sharp edges around the hole.
7. Take caution not to damage the drain hose when installing the dishwasher on the floor, wall, or cabinet. To prevent leaks or drainage problems, make sure the drain hose is not damaged, kinked, or twisted.
8. Do not cut the wrinkled area of the drain hose to fit the size. When arranging the drain hose, take caution not to make contact with any sharp edges of the cabinet or under-sink.



INSTALLING THE ADJUSTABLE TOE KICK

Once the dishwasher is put into the enclosure, the toe kick needs to be installed. The two piece toe kick can be adjusted to the height and depth required for the placement of the dishwasher. Make sure the unit is plumb and level in the enclosure before installing the the toe kick.

1. Determine the height of the dishwasher to figure the adjustable plinth installation.
 - a. If the height is $33\frac{7}{8}$ " - $35\frac{7}{8}$ " (860mm-910mm) and the short leveling legs are used, attach the Toe Kick Brackets to the 3.15" (80mm) high Metal Toe Kick using $5/32$ " x $7/32$ " (4mm x 6mm) screws.
 - b. If the height is above $35\frac{7}{8}$ " (910mm) and the long leveling legs are used, attach the Toe Kick Brackets to the 5.12" (130mm) high Metal Toe Kick using $5/32$ " x $7/32$ " (4mm x 6mm) Philips screws.

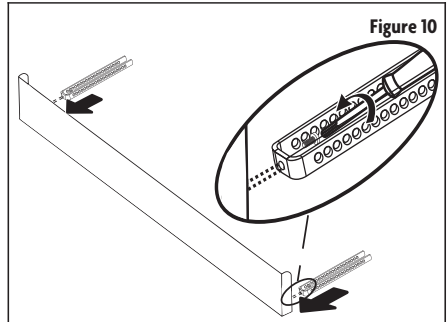


Figure 10

2. The number of adjustable plinth pieces to use is determined by the height to the bottom of the counter-top (Figure 12).
 - a. Stack the correct number of pieces based on the measurement, then insert the round tabs on the top of the stack through the holes in the bottom, flat edge of the Metal Toe Kick.
 - b. Secure the toe kick to the plinth pieces using the Plinth Fixing Brackets (Figure 12).

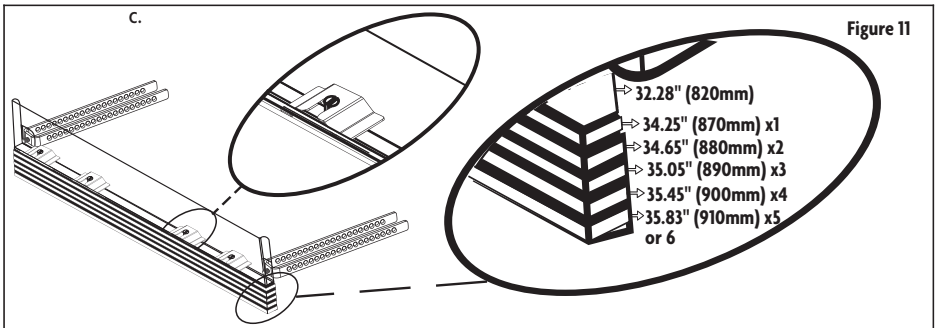


Figure 11

3. Attach the toe kick assembly to the dishwasher by inserting the Toe Kick Brackets into the spaces on either side at the bottom of the unit. The depth can be set by determining how far in the brackets need to be inserted and sliding the Plinth Locking Pin through the holes in either arm of the bracket to stop the bracket from being inserted farther (Figure 13).

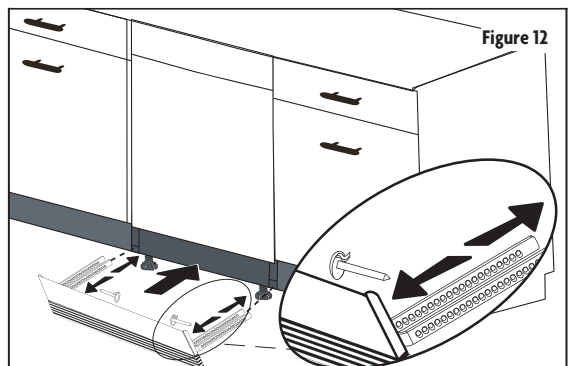


Figure 12

INSTALLER CHECKLIST

The installer must have completed and checked the following:

- The dishwasher is square and level.
- The dishwasher is fastened securely to the cabinetry.
- The dishwasher door opens and closes freely. The dishwasher door must close without hitting any cabinetry or counter top.
- The inlet water supply is turned on and checked for leaks.
- The drain hose has been connected and checked for leaks. There must be no kinks or obstructions in the drain hose.
- The drain hose must be installed with a 28" (710mm) high drain loop for drain hook-ups without any air removed.
- If you connect the water drain hose to a trap spigot under the sink, remove the plastic membrane. If you do not remove the entire membrane, remaining food can cause a blockage in the drain hose spigot. Ensure a hose clamp is used to secure the hose to the spigot.
- The spray arms are free and rotate freely.
- The rinse cycle has been run.
- The water level will be below the filter screen after the end of the wash program. It is normal to find some water in the drain filter area.

FINAL INSTRUCTIONS

1. Press the On/Off button to turn the dishwasher on.
2. Power indicator light comes on.
3. Use the Program Select button to choose a washing program.
4. Start the program with the Start/Pause/Cancel button.
5. Run the dishwasher through one complete cycle. When the wash cycle is completed, use the On/Off button to turn the dishwasher off.

SELF HELP HINTS

1. The dishwasher doesn't turn on
 - Check to make sure the breaker to the dishwasher is in the on position.
 - Check to make sure that the Supply cord is plugged.
2. No water being supplied
 - Make sure the water shut-off valve is in the ON position.
3. Water does not drain
 - Make sure drain hose is not kinked or comes out of air gap next to the sink.
 - Remove drain hose from disposal and make sure plug is removed.

NOTE: If your dishwasher is not operating properly after following these steps, please contact customer service at 888-775-0202.

The manufacturer warranty does not cover installation, conversion or customer education service visits.



**CNA International, Inc. d/b/a MC Appliance Corporation. All rights reserved.
Magic Chef® logo is a registered trademark of CNA International, Inc.**

www.mcappliance.com

Printed in Turkey